

**Claw grip, Steel zinc plated, for connection clamping flange/baseplate
- PF301101-T**

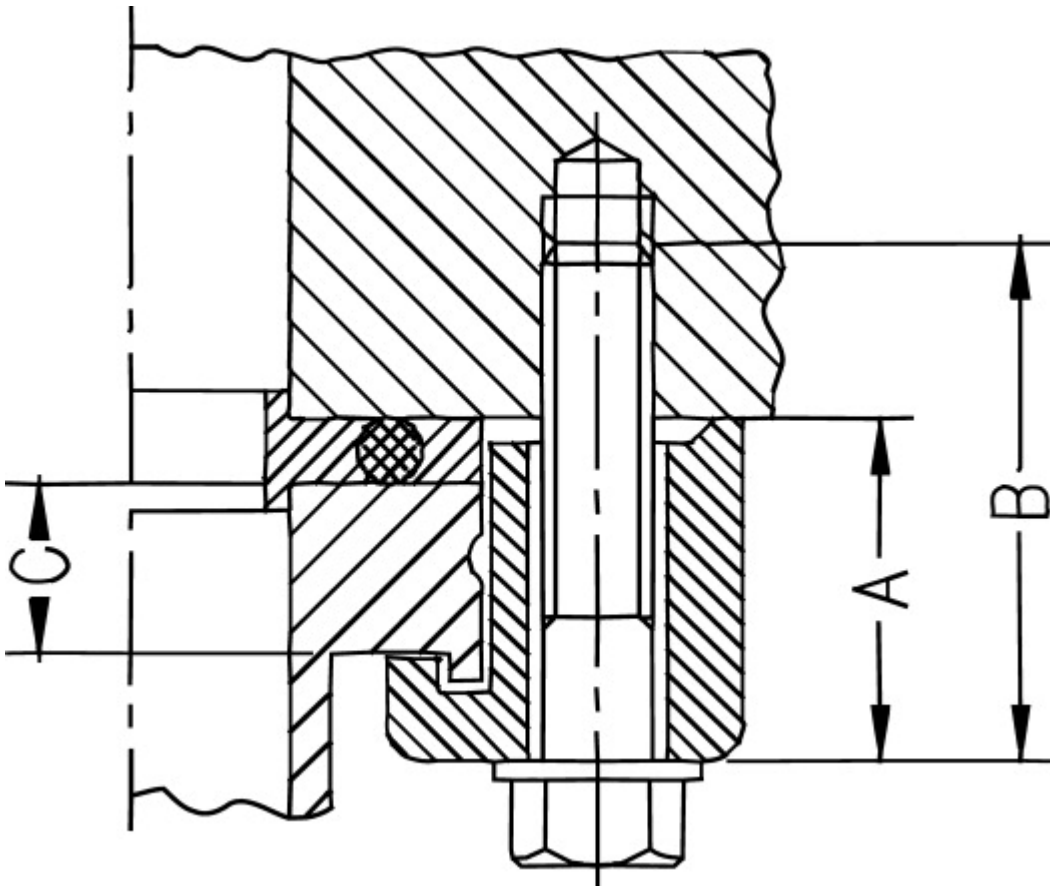
Note: For the installation of turbopumps, please do not use this claw! Please note the installation advices at the operating instruction of the turbopump.

Steel zinc plated Minimum per connection: DN 160 = 8 pieces
DN 200 - DN 250 = 12 pieces

Technical Data

Flange (in) DN 160 - 250 ISO

Materials Steel, Zinc plated

Dimensions

A	23 mm
B	35 mm
C	10 mm